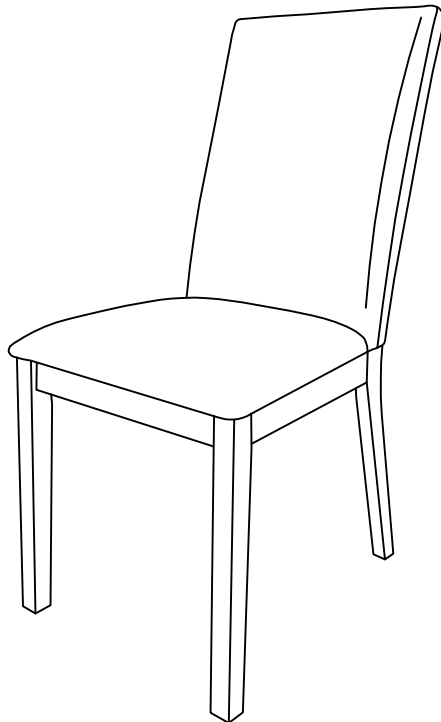
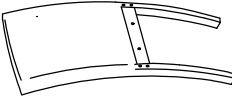
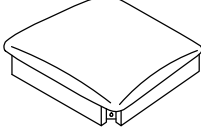
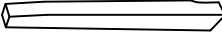
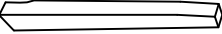




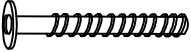
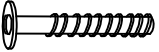
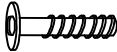
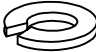

Dining Chair
CF501519




PART LIST

<div data-bbox="199 226 240 271" style="border: 1px solid black; padding: 2px;">A</div> 	<div data-bbox="443 226 485 271" style="border: 1px solid black; padding: 2px;">B</div> 	<div data-bbox="684 226 726 271" style="border: 1px solid black; padding: 2px;">C</div> 	<div data-bbox="925 226 967 271" style="border: 1px solid black; padding: 2px;">D</div> 
<p style="text-align: center;">Back 2 PCS</p>	<p style="text-align: center;">Seat 2 PCS</p>	<p style="text-align: center;">Right Leg 2 PCS</p>	<p style="text-align: center;">Left Leg 2 PCS</p>

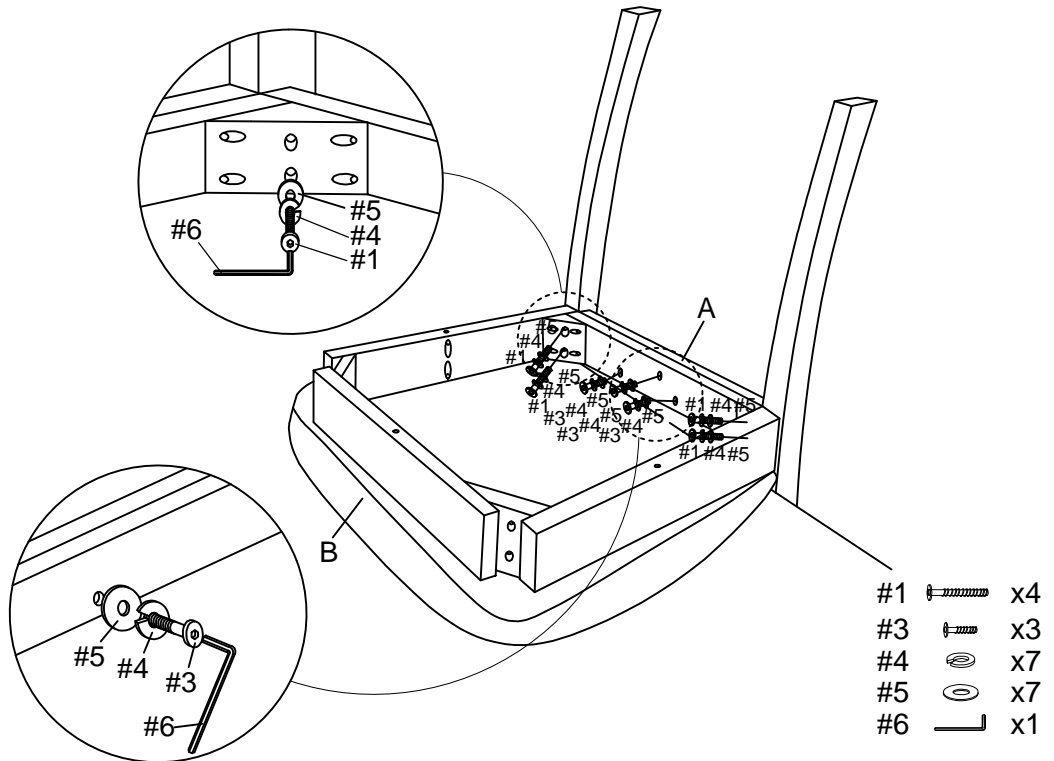
HARDWARE LIST

<div data-bbox="199 770 240 815" style="border: 1px solid black; padding: 2px;">#1</div>  <p style="text-align: center;">M6 x 80mm</p>	<div data-bbox="443 770 485 815" style="border: 1px solid black; padding: 2px;">#2</div>  <p style="text-align: center;">M6 x 60mm</p>	<div data-bbox="684 770 726 815" style="border: 1px solid black; padding: 2px;">#3</div>  <p style="text-align: center;">M6 x 40mm</p>	<div data-bbox="925 770 967 815" style="border: 1px solid black; padding: 2px;">#4</div> 	<div data-bbox="1166 770 1208 815" style="border: 1px solid black; padding: 2px;">#5</div> 
<p style="text-align: center;">Long Bolt 8 PCS (Extra 1)</p>	<p style="text-align: center;">Bolt 8 PCS (Extra 1)</p>	<p style="text-align: center;">Short Bolt 6 PCS (Extra 1)</p>	<p style="text-align: center;">Spring Washer 22 PCS (Extra 1)</p>	<p style="text-align: center;">Flat Washer 22 PCS (Extra 1)</p>

<div data-bbox="199 1164 240 1209" style="border: 1px solid black; padding: 2px;">#6</div>  <p style="text-align: center;">M4</p>
<p style="text-align: center;">Allen Wrench 1 PC</p>

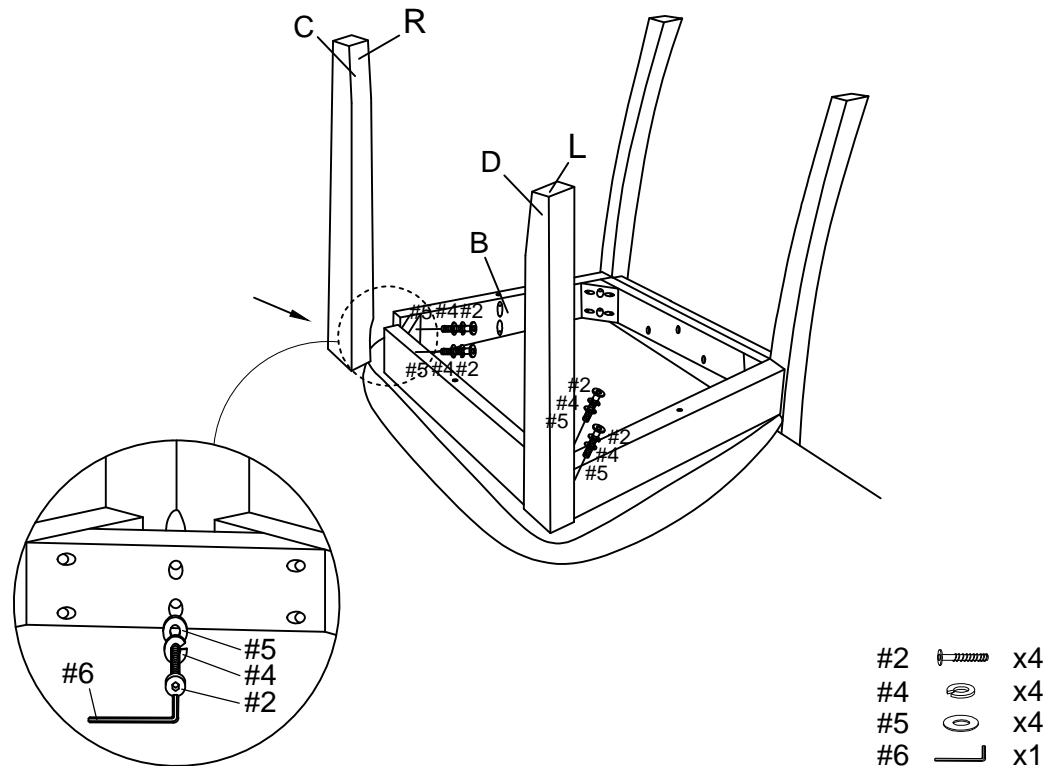
Step 1 . Attach seat (part B) to back (part A) using long bolts (part #1), short bolts (part #3), spring washers (part #4), flat washers (part #5), and allen wrench (part #6).

NOTE: Please do not fully tighten bolts until unit is fully assembled.



Step 2 . Attach legs (parts C & D) to seat (part B) using bolts (part #2), spring washers (part #4), flat washers (part #5) and allen wrench (part #6).

NOTE: Please fully tighten all bolts at this time.



Step 3. Carefully turn unit upright. Repeat steps 1-2 to assemble remaining chair.

